

## PUMPS



- 168 • AstralPool Signature Self-priming pumps
- 169 • Self-priming pumps
- 175 • Centrifugal pumps
- 188 • Strainers
- 192 • Valves and flanges
- 193 • AstralPool control boxes
- 196 • Submersible pumps

## ASTRALPOOL SIGNATURE SELF-PRIMING PUMPS



### Columbia pump

High performance pump for residential pools offering silent operation and reliability at low temperatures. Available from 3/4HP to 3 HP, with single-phase and three-phase motors. Simple assembly with high quality mechanical seal and bearings. Easy-open strainer lid. Connections with standardised fittings. Possibility of removing the motor without touching the pump's hydraulic system. Flow rates in l/h at 10 m head for all the models. ATB motor.

Models:

Columbia Single-phase pump

	Code	Standard Packaging	Standard Weight Kg	Standard Volume m <sup>3</sup>
12000 l/h 0.6 kW (3/4 HP) 230 V II	<b>32770</b>	1	18.5	0.100
17500 l/h 0.78 kW (1 HP) 230 V II	<b>32772</b>	1	19.2	0.100
24000 l/h 1.1 kW (1.5 HP) 230 V II	<b>32774</b>	1	23.4	0.100
27000 l/h 1.5 kW (2 HP) 230 V II	<b>32776</b>	1	23.6	0.100
40000 l/h 2.2 kW (3 HP) 230 V II	<b>32778</b>	1	28.6	0.100

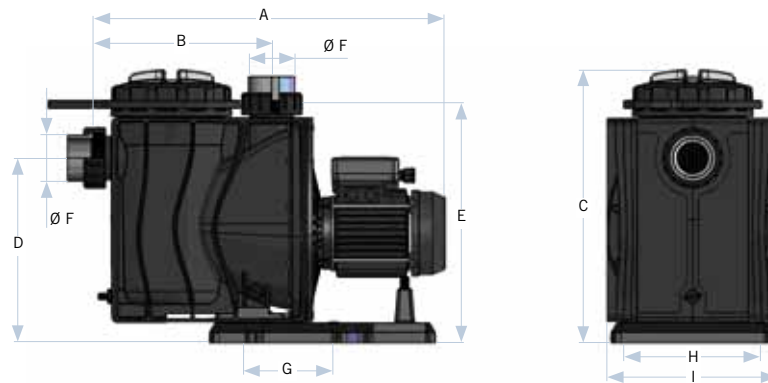
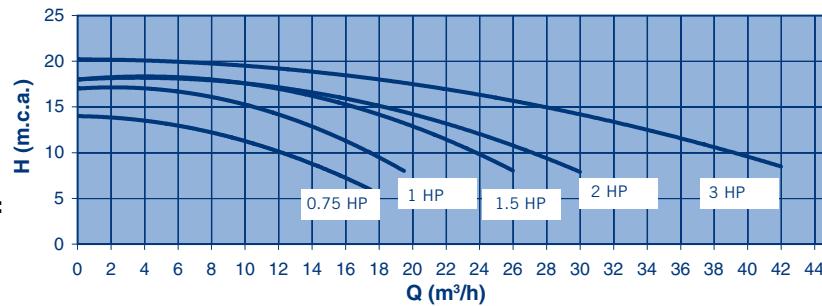
Columbia Three-phase pump,

12000 l/h 0.6 kW (3/4 HP) 230/400 V III	<b>32771</b>	1	18.8	0.100
17500 l/h 0.77 kW (1 HP) 230/400 V III	<b>32773</b>	1	19.4	0.100
24000 l/h 1.1 kW (1.5 HP) 230/400 V III	<b>32775</b>	1	21.7	0.100
27000 l/h 1.5 kW (2 HP) 230/400 V III	<b>32777</b>	1	21.8	0.100
40000 l/h 2.2 kW (3 HP) 230/400 V III	<b>32779</b>	1	24.0	0.100



### Maximum sound level (dBA):

- 3/4 HP = 66 dBA
- 1 HP = 66 dBA
- 1.5 HP = 70 dBA
- 2 HP = 70 dBA
- 3 HP = 75 dBA



CODE	A	B	C	D	E	Ø F	G	H	I
<b>32770</b>	570	284.50	435	295	383.50	50	146.50	216	272
<b>32771</b>	570	284.50	435	295	383.50	50	146.50	216	272
<b>32772</b>	610	284.50	435	295	383.50	50	146.50	216	272
<b>32773</b>	610	284.50	435	295	383.50	50	146.50	216	272
<b>32774</b>	610	284.50	435	295	383.50	63	146.50	216	272
<b>32775</b>	610	284.50	435	295	383.50	63	146.50	216	272
<b>32776</b>	610	284.50	435	295	383.50	63	146.50	216	272
<b>32777</b>	610	284.50	435	295	383.50	63	146.50	216	272
<b>32778</b>	651	284.50	435	295	383.50	75	146.50	216	272
<b>32779</b>	626	284.50	435	295	383.50	75	146.50	216	272

**SELF-PRIMING PUMPS**

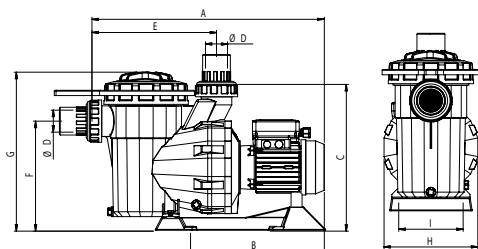
**Victoria Dual Speed pump**

Two-speed pump. New ideas for energy saving and noise reduction meeting new legislation to improve energy efficiency in appliances. Ultra-Filtered: Allows filtering of water overnight, taking advantage of cheaper electricity rates. Allows external use of programmable timers for programming of filter cycles. Power Range (high speed): 1 HP - 1.5 HP - 2 HP to 2.5 HP. High speeds for washing, rinsing, treatment shock or heavy use. Low-speed for filtration. Completely interchangeable with the Victoria Plus pumps, Sprint and Victoria.

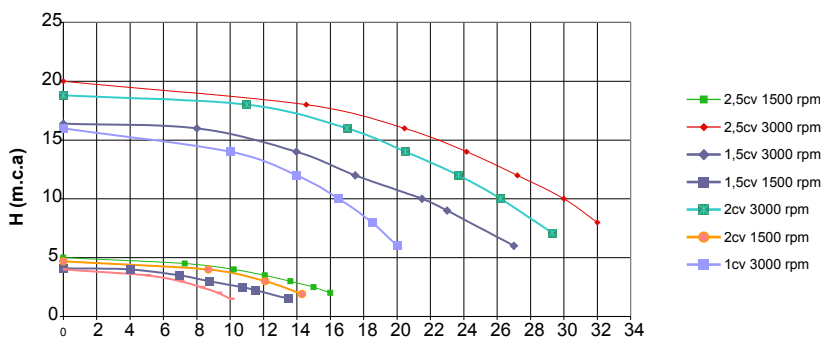


	Code	Standard Packaging	Standard Weight Kg	Standard Volume m <sup>3</sup>
1 HP	<b>45861</b>	1	15	0.071
1,5 HP	<b>45657</b>	1	17	0.071
2 HP	<b>45658</b>	1	18	0.071
2.5 HP	<b>45708</b>	1	19.5	0.071

For easy programming and optimal protection of the pump it is recommended to use the maneuver lockers double pump speed (code 45862, 45863) or timer (code 45864).



Code	45861	45657 - 45658	45708
A	562	592	674
B	335	366	414
C	323	323	323
D	50	63	75
E	281	281	281
F	243	243	243
G	365	365	365
H	210	210	210
I	144.5	144.5	144.5



**Control box**

The control box makes it easy to program filter cycles that suit the needs of users 24 hours a day. The ultra-silent mechanism also means that users can take advantage of cheaper night time electricity rates to perform the filtering process.



	Code	Standard Packaging	Standard Weight Kg	Standard Volume m <sup>3</sup>
For pumps of 1, 1.5 and 2 HP	<b>45862</b>	1	-	-
For pumps of 2.5 HP	<b>45863</b>	1	-	-

**Digital timer**

Easy-to-use and intuitive timer that can be quickly programmed at a glance. All of the filter cycles can be set for any time of the day, with the possibility of using different programmes according to various factors, such as the day of the week, the season, etc.



Code	Standard Packaging	Standard Weight Kg	Standard Volume m <sup>3</sup>
<b>45864</b>	1	-	-

**SELF-PRIMING PUMPS**

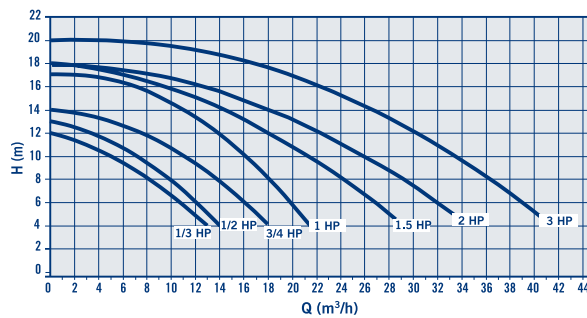


**Victoria Plus pump**

Robust design with new generation easy to handle lid-locking nut. Low noise levels due to rubber paddings. IP-55 Motor protection. Large capacity strainer basket. Flow rates given at 8 m head for 1/3 HP and 1/2 HP, and 10 head from 3/4 HP onwards. 3,000 rpm.

	Code	Standard Packaging	Standard Weight Kg	Standard Volume m <sup>3</sup>
10,000 l/h 0.37 kW (1/2 HP) 230 V II	<b>38769</b>	1	13.0	0.071
10,000 l/h 0.43 kW (1/2 HP) 230/400 V III	<b>38770</b>	1	13.0	0.071
11,000 l/h 0.61 kW (3/4 HP) 230 V II	<b>38771</b>	1	14.0	0.071
11,000 l/h 0.60 kW (3/4 HP) 230/400 V III	<b>38772</b>	1	14.0	0.071
16,000 l/h 0.78 kW (1 HP) 230 V II	<b>38773</b>	1	15.0	0.071
16,000 l/h 0.76 kW (1 HP) 230/400 V III	<b>38774</b>	1	15.0	0.071
21,500 l/h 1.10 kW (1.5 HP) 230 V II	<b>38775</b>	1	17.0	0.071
21,500 l/h 1.10 kW (1.5 HP) 230/400 V III	<b>38776</b>	1	17.0	0.071
26,000 l/h 1.50 kW (2 HP) 230 V II	<b>38777</b>	1	18.0	0.071
26,000 l/h 1.46 kW (2 HP) 230/400 V III	<b>38778</b>	1	18.0	0.071
34,000 l/h 2.20 kW (3 HP) 230 V II	<b>38779</b>	1	19.0	0.071
34,000 l/h 2.20 kW (3 HP) 230/400 V III	<b>38780</b>	1	19.0	0.071

**Performance curves**

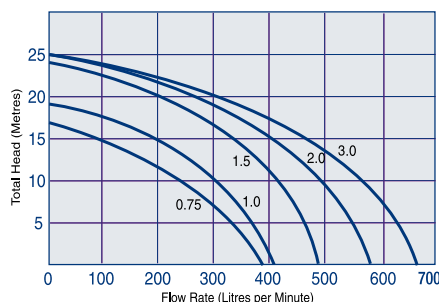


**TX High Performance pump**

High Performance and high pressure whisper quiet pump. Suitable for in-floor cleaning systems, spa jets and demanding applications. 30% glass filled noryl for high strength, ramp on lid, 63 mm barrel union connections, true carbon seal. Non return valve included. Flow rates given at 8 m head.

	Code	Standard Packaging	Standard Weight Kg	Standard Volume m <sup>3</sup>
TX ¾ - 15,900 l/h 0.55 kW (3/4 HP) 220/240 V II	<b>41337</b>	1	19.0	0.072
TX 1.0 - 18,600 l/h 0.74 kW (1 HP) 220/240 V II	<b>41338</b>	1	21.0	0.072
TX 1.5 - 24,600 l/h 1.1 kW (1.5 HP) 220/240 V II	<b>41339</b>	1	21.0	0.072
TX 2.0 - 30,180 l/h 1.47 kW (2 HP) 220/240 V II	<b>41340</b>	1	25.0	0.072
TX 3.0 - 36,600 l/h 2.20 kW (3HP) 220/240 V II	<b>41341</b>	1	-	0.072
TX ¾ - 15,900 l/h 0.55 kW (3/4 HP) 230/415 V III	<b>41342</b>	1	-	0.072
TX 1.0 - 18,600 l/h 0.74 kW (1 HP) 230/415 V III	<b>41343</b>	1	-	0.072
TX 1.5 - 24,600 l/h 1.1 kW (1.5 HP) 230/415 V III	<b>41344</b>	1	19.30	0.072
TX 2.0 - 30,180 l/h 1.47 kW (2 HP) 230/415 V III	<b>41345</b>	1	-	0.072

**Performance curves**



**SELF-PRIMING PUMPS**

**Sena pump**

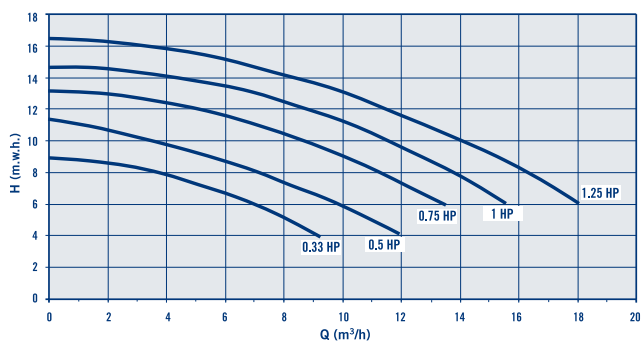
New generation pump range. Motors from 1/3 HP to 1.25 HP in single-phase and from 3/4 HP to 1.25 HP in three-phase motors. GS marking. IP-55 Motor protection, Class F insulation. All parts in contact with water made of S.S. AISI-316. Ø 50 mm solvent weld fittings for connection. Flow rates given at 6 m head for 1/3 HP, 8 m head for 1/2 HP, and 10 m head for the rest of the range. 3,000 rpm.



	Code	Standard Packaging	Standard Weight Kg	Standard Volume m <sup>3</sup>
7,000 l/h. 1/3 HP. 230 V II	<b>25461</b>	1	10.20	0.055
8,500 l/h. 1/2 HP. 230 V II	<b>25462</b>	1	10.20	0.055
9,000 l/h. 3/4 HP. 230 V II	<b>25463</b>	1	11.65	0.055
9,000 l/h. 3/4 HP. 230/400 V III	<b>25464</b>	1	11.40	0.055
11,800 l/h. 1 HP. 230 V II	<b>25465</b>	1	12.75	0.055
11,800 l/h. 1 HP. 230/400 V III	<b>25466</b>	1	13.00	0.055
14,000 l/h. 1.25 HP. 230 V II	<b>25467</b>	1	13.75	0.055
14,000 l/h. 1.25 HP. 230/400 V III	<b>25468</b>	1	13.55	0.055



**Performance curves**



**Trent pump**

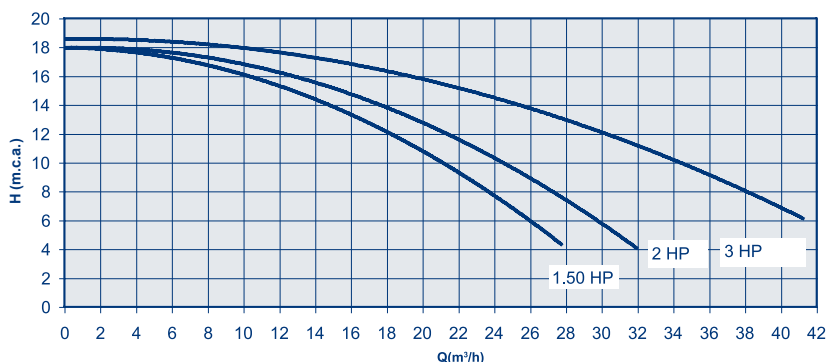
High performance self-priming pump designed for residential pools. Significant reduction in noise level due to the body which is made of plastic and has rubber pad supports. It is available in sizes from 1.5 HP to 3 HP single and three phase motors. Transparent lid with embedded nuts for easy opening and handling that allows a quick check of the prefilter.



	Code	Standard Packaging	Standard Weight Kg	Standard Volume m <sup>3</sup>
1.5 HP, 230 V II	<b>45855</b>	1	18.8	0.100
1.5 HP, 230/400 V III	<b>45856</b>	1	17.0	0.100
2 HP, 230 V II	<b>45857</b>	1	19.9	0.100
2 HP, 230/400 V III	<b>45858</b>	1	17.9	0.100
3 HP, 230 V II	<b>45859</b>	1	24.6	0.100
3 HP, 230/400 V III	<b>45860</b>	1	19.6	0.100

**Maximum sound level (dBA):**

- 1.5 HP II - III = 66 dBA
- 2 HP II - III = 70 dBA
- 3 HP III = 70 dBA
- 3 HP II = 72 dBA



## SELF-PRIMING PUMPS

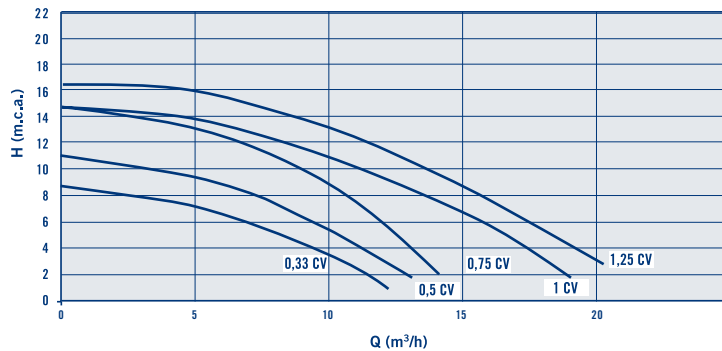


### Alaska pump

The body of the pump is made of state-of-the-art thermoplastics. The single-phase, self-priming pumps come in a range of 0.33 HP to 1.25 HP. A pre-filter is mounted in body of the pump to prevent foreign objects from entering it that may damage its hydraulic parts. The motors that are supplied with the pump have IP-55 protection and are designed to withstand hot climates and high levels of humidity.

	Code	Standard Packaging	Standard Weight Kg	Standard Volume m <sup>3</sup>
Alaska 1/3 HP II 230 V	<b>41607</b>	1	-	-
Alaska 1/2 HP II 230 V	<b>41608</b>	1	-	-
Alaska 3/4 HP II 230 V	<b>41609</b>	1	-	-
Alaska 1 HP II 230 V	<b>41610</b>	1	-	-
Alaska 1.25 HP II 230 V	<b>41611</b>	1	-	-

Performance curves

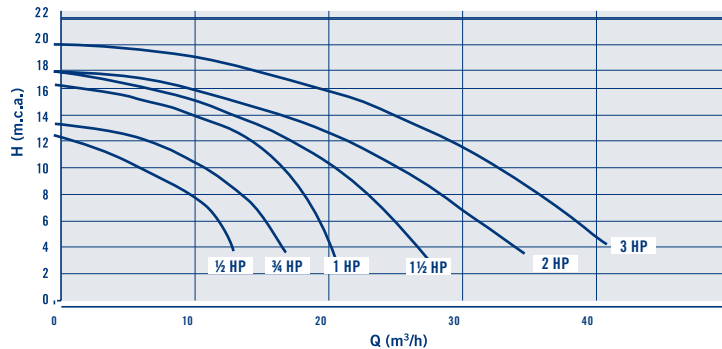


### Alaska Max pump

The body of the pump is made of state-of-the-art thermoplastics. The single- and three-phase self-priming pumps come in a range of 0.5 HP to 3 HP. A pre-filter is mounted in body of the pump to prevent foreign objects from entering it that may damage its hydraulic parts. The motors that are supplied with the pump have IP-55 protection and are designed to withstand hot climates and high levels of humidity.

	Code	Standard Packaging	Standard Weight Kg	Standard Volume m <sup>3</sup>
Alaska Max 1/2 HP 230 V	<b>41597</b>	1	-	-
Alaska Max 3/4 HP 230 V	<b>41598</b>	1	-	-
Alaska Max 1 HP 230 V	<b>41599</b>	1	-	-
Alaska Max 1.5 HP 230 V	<b>41601</b>	1	-	-
Alaska Max 1.5 HP 230 V/400 V	<b>41602</b>	1	-	-
Alaska Max 2 HP 230 V	<b>41603</b>	1	-	-
Alaska Max 2 HP 230 V/400 V	<b>41604</b>	1	-	-
Alaska Max 3 HP 230 V	<b>41605</b>	1	-	-
Alaska Max 3 HP 230 V	<b>41606</b>	1	-	-

Performance curves



**SELF-PRIMING PUMPS**

**High-performance Viron BLDC Pump**

Variable speed BLDC pump and motor. Designed to offer optimum efficiency and to make significant savings in maintenance costs. Easy-to-select motor speed that enables users to control the flow rate needed for the pump's various functions: filtering, backwashing, draining and operating the hydromassage jet. Totally silent.

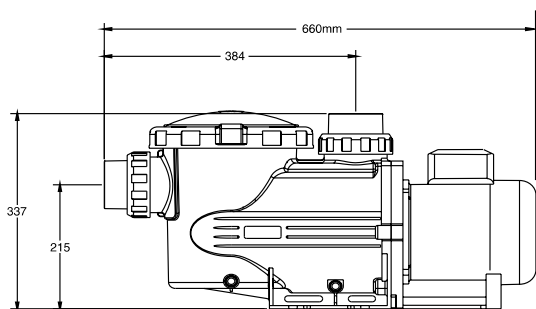
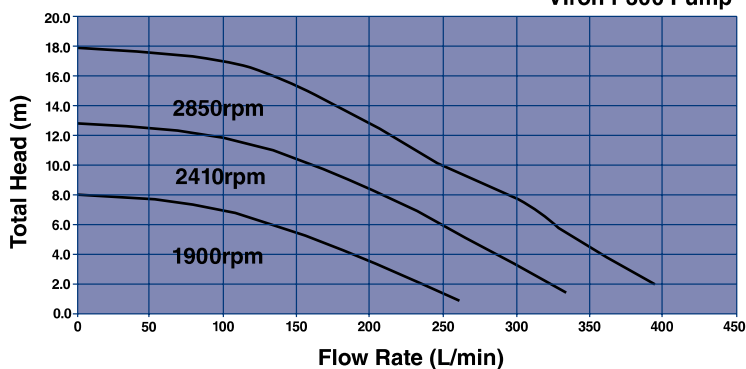


Available designs:

A single design with a flow rate of 280 lt per minute at 8 M.C.A. Three-year guarantee for manufacturing defects only on the motor and the components that are in contact with the water.

Code	Standard Packaging	Standard Weight Kg	Standard Volume m <sup>3</sup>
43431	1	15	0.112

**Viron P300 Pump**



**SELF-PRIMING PUMPS**



**Aral SP-3000 pump**



Made in cast iron. Stainless steel mechanical seal. IP-54 motor protection. Stainless steel AISI-316 shaft. 3.000 rpm.

Also available with bronze impeller

**Power 1.5 kW (2 HP)**

Connect. DN 50-2" for glueing to Ø 63 mm pipe

m.w.h.	6	8	10	12	14	15.2
m³/h	28	26	23.5	19	13	0

Voltage 230 V II	<b>01186</b>	1	38	0.050
Voltage 230/400 V III	<b>01187</b>	1	38	0.050

**Power 2.20 kW (3 HP)**

Connection DN 66-21/2" for glueing to Ø 75 mm pipe

m.w.h.	8	10	12	14	16	18
m³/h	48	43	39	30	18	0

Voltage 230/400 V III	<b>01188</b>	1	50	0.137
-----------------------	--------------	---	----	-------

**Power 3 kW (4 HP)**

Connection DN 80-3" for glueing to Ø 90 mm pipe

m.w.h.	8	10	12	14	16	18
m³/h	56	50	45	40	33	0

Voltage 230/400 V III	<b>01189</b>	1	53	0.137
Voltage 400/690 V III	<b>01190</b>	1	53	0.137

**Power 4 kW (5,5 HP)**

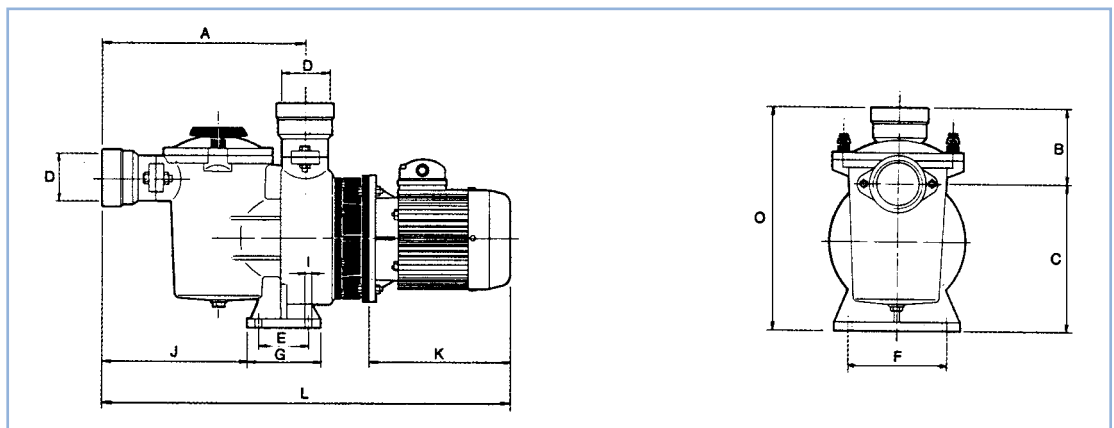
Connection DN 80-3" for glueing to Ø 90 mm pipe

m.w.h.	8	10	12	14	16	19
m³/h	65	60	55	48	41	0

Voltage 230/400 V III	<b>01191</b>	1	56	0.137
Voltage 400/690 V III	<b>01192</b>	1	56	0.137



230 V valid for voltages between 220 & 240 V  
 400 V valid for voltages between 380 & 420 V  
 690 V valid for voltages between 660 & 720 V



**Technical features**

Code	VOLTAGE V.	CURRENT IN AMP. (A)			POWER P2		CONNECTIONS		Dimensions (mm)										
		II 220 V	III 230 V	III 400 V	KW	HP	D	DN	A	B	C	E	F	G	I	J	K	L	O
<b>01186</b>	230	-	5.5	-	1.5	2	2"	50	330	132	222	68	114	120	13	239	286	723	354
<b>01187</b>	230/400	-	5.5	3.2	1.5	2	2"	50	330	132	222	68	114	120	13	239	286	723	354
<b>01188</b>	230/400	-	9.6	5.5	2.2	3	2 1/2"	65	360	101	283	90	139	140	13	263	286	743	461
<b>01189</b>	230/400	-	12	7	3	4	3"	80	382	123	283	90	139	140	13	285	306	785	505
<b>01190</b>	400/690	-	-	7	3	4	3"	80	382	123	283	90	139	140	13	285	306	785	505
<b>01191</b>	230/400	-	16	9.1	4	5,5	3"	80	382	123	283	90	139	140	13	285	306	785	505
<b>01192</b>	400/690	-	-	9.1	4	5,5	3"	80	382	123	283	90	139	140	13	285	306	785	505



**CENTRIFUGAL PUMPS**
**Colorado pump with prefilter**

Plastic Centrifugal 3000 r.p.m. pumps with prefilter for swimming pools. Ideal for large volumes at low pressure. Prefilter with a transparent lid for easy accessibility. The pump and the prefilter is made of polypropylene reinforced with fibreglass. Bronze impeller, the shaft and prefilter basket in stainless steel. Motor protection IP-55 of 3000 r.p.m. at 230/400 V or 400/690 V and 50 Hz from 7.5 HP to 12.5 HP.



	Code	Standard Packaging	Standard Weight Kg	Standard Volume m <sup>3</sup>
7.5 HP, 230/400 V	<b>44708</b>	1	57	-
7.5 HP, 400/690 V	<b>44709</b>	1	57	-
10 HP, 230/400 V	<b>44710</b>	1	68	-
10 HP, 400/690 V	<b>44711</b>	1	68	-
12.5 HP, 230/400 V	<b>44712</b>	1	72	-
12.5 HP, 400/690 V	<b>44713</b>	1	72	-

CODE	VOLTS (V)	POWER		DIMENSIONS (mm)								
		kW	HP	A	B	ØC	D	E	F	G	H	L
<b>44708</b>	230/400	5,5	7,5	375	255	110	405	470	330	200	535	840
<b>44709</b>	400/690											
<b>44710</b>	230/400	7,4	10	375	255	110	405	470	330	200	535	910
<b>44711</b>	400/690											
<b>44712</b>	230/400	9,2	12,5	375	255	110	405	470	330	200	535	955
<b>44713</b>	400/690											

**Colorado pump without prefilter**

Plastic Centrifugal 3000 r.p.m. pumps without prefilter for swimming pools. Ideal for large volumes at low pressure. The pump and the prefilter is made of polypropylene reinforced with fibreglass. Bronze impeller, the shaft and prefilter basket in stainless steel. Motor protection IP-55 of 3000 r.p.m. at 230/400 V or 400/690 V and 50 Hz from 7.5 HP to 12.5 HP.



	Code	Standard Packaging	Standard Weight Kg	Standard Volume m <sup>3</sup>
7.5 HP, 230/400 V	<b>44716</b>	1	50	-
7.5 HP, 400/690 V	<b>44717</b>	1	50	-
10 HP, 230/400 V	<b>44718</b>	1	61	-
10 HP, 400/690 V	<b>44719</b>	1	61	-
12.5 HP, 230/400 V	<b>44720</b>	1	65	-
12.5 HP, 400/690 V	<b>44721</b>	1	65	-

CODE	VOLTS (V)	POWER		DIMENSIONS (mm)								
		kW	HP	A	B	ØC	D	F	G	H	L	
<b>44716</b>	230/400	5,5	7,5	255	255	110	105	330	200	470	530	
<b>44717</b>	400/690											
<b>44718</b>	230/400	7,4	10	255	255	110	105	330	200	470	600	
<b>44719</b>	400/690											
<b>44720</b>	230/400	9,2	12,5	255	255	110	105	330	200	470	645	
<b>44721</b>	400/690											

## CENTRIFUGAL PUMPS



### Baikal SP-3000 pump



Made in bronze. Stainless steel mechanical seal. IP-54 motor protection. Stainless steel AISI-316 shaft. 3.000 rpm.

Code	Standard Packaging	Standard Weight Kg	Standard Volume m <sup>3</sup>
------	--------------------	--------------------	--------------------------------

#### Power 1.5 kW (2 HP)

Connection DN 50 - 2", for Ø 63 mm pipe

m.w.h.	6	8	10	12	14	15.2
m <sup>3</sup> /h	28	26	23.5	19	13	0

Voltage 230 V II	<b>01235</b>	1	38	0.050
Voltage 230/400 V III	<b>01236</b>	1	38	0.050

#### Power 2.20 kW (3 HP)

Connection DN 65 - 2 1/2", for Ø 75 mm pipe

m.w.h.	8	10	12	14	16	18
m <sup>3</sup> /h	48	43	39	30	18	0

Voltage 230/400 V III	<b>01237</b>	1	50	0.137
-----------------------	--------------	---	----	-------

#### Power 3 kW (4 HP)

Connection DN 80 - 3", for Ø 90 mm pipe

m.w.h.	8	10	12	14	16	18
m <sup>3</sup> /h	56	50	45	40	33	0

Voltage 230/400 V III	<b>01238</b>	1	59	0.137
Voltage 400/690 V III	<b>01239</b>	1	59	0.137

#### Power 4 kW (5.5 HP)

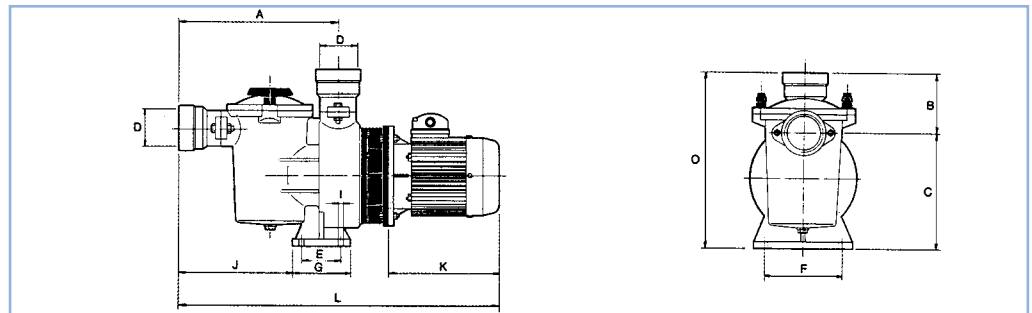
Connection DN 80 - 3", for Ø 90 mm pipe

m.w.h.	8	10	12	14	16	19
m <sup>3</sup> /h	65	60	55	48	41	0

Voltage 230/400 V III	<b>01240</b>	1	62	0.137
Voltage 400/690 V III	<b>01241</b>	1	62	0.137



230 V valid for voltages between 220 & 240 V  
 400 V valid for voltages between 380 & 420 V  
 690 V valid for voltages between 660 & 720 V



### Technical features

Code	VOLTAGE V	Current in Amps			Power		Connect.		Dimensions (mm)										
		II 220 V	III 230 V	III 400 V	kW	HP	D	DN	A	B	C	E	F	G	I	J	K	L	O
<b>01235</b>	230	5.5	-	-	1.5	2	2"	50	330	132	222	68	114	120	13	239	286	723	354
<b>01236</b>	230/400	-	5.5	3,2	1.5	2	2"	50	330	132	222	68	114	120	13	239	286	723	354
<b>01237</b>	230/400	-	9.6	5.5	2.20	3	2 1/2"	65	360	101	283	90	139	140	13	263	286	743	461
<b>01238</b>	230/400	-	12	7	3	4	3"	80	382	123	283	90	139	140	13	285	306	785	505
<b>01239</b>	400/690	-	-	7	3	4	3"	80	382	123	283	90	139	140	13	285	306	785	505
<b>01240</b>	230/400	-	16	9.1	4	5.5	3"	80	382	123	283	90	139	140	13	285	306	785	505
<b>01241</b>	400/690	-	-	9.1	4	5.5	3"	80	382	123	283	90	139	140	13	285	306	785	505

**CENTRIFUGAL PUMPS**



**Maxim pump 2.860 rpm**

Pump body and support in heat resistant plastic, S.S. motor shaft of AISI-316 with double insulation and with IP-55 motor protection. 8 litre capacity strainer, with transparent lid.



	Code	Standard Packaging	Standard Weight Kg	Standard Volume m <sup>3</sup>
--	------	--------------------	--------------------	--------------------------------

**3" thread union connections**

m.w.h.	8	10	12	14	16	19.5
m <sup>3</sup> /h	56	50	42	34	23	0

(3.5 HP) 230/400 V III      **08003**      1      32      0.184

m.w.h.	8	10	12	14	16	19.5
m <sup>3</sup> /h	74	66	57	46	30	0

(4.5 HP) 230/400 V III      **08004**      1      34      0.184

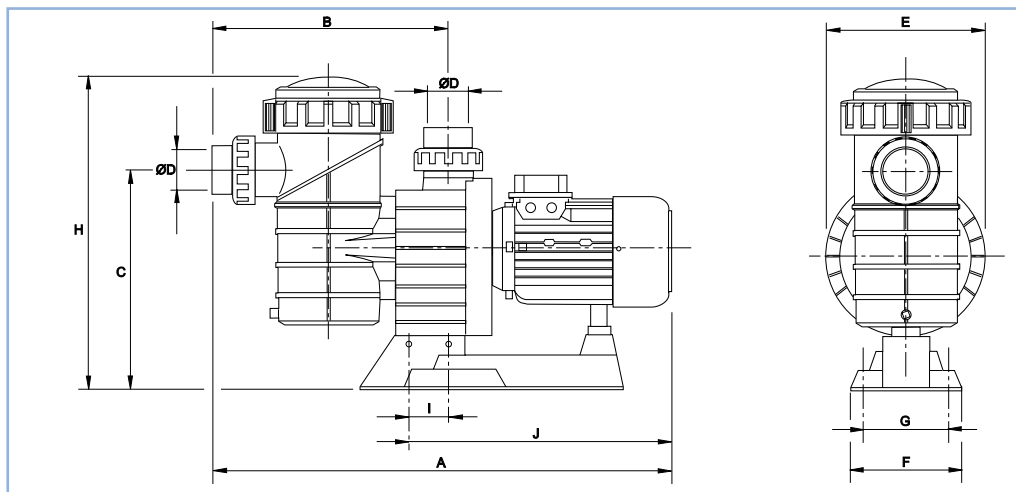
m.w.h.	8	10	12	14	16	19.5
m <sup>3</sup> /h	88	78	67	53	34	0

(5.5 HP) 230/400 V III      **08005**      1      37      0.184

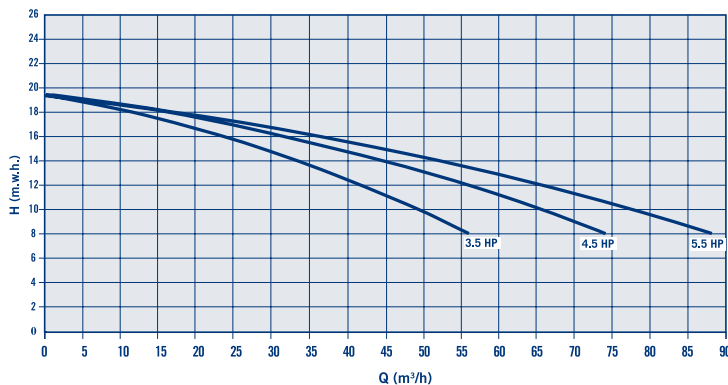


230 V valid for voltages between 220 & 240 V

**Dimensions**



**Performance curves**



**Technical features**

Model	Type	Volts	A mm	B mm	C mm	Ø D mm	E mm	F mm	G mm	H mm	I mm	J mm
08003	3.5	230/400	815	430	385	90	287	200	140	530	65	468
08004	4.5	230/400	815	430	385	90	287	200	140	530	65	468
08005	5.5	230/400	847	430	385	90	287	200	140	530	65	500

## CENTRIFUGAL PUMPS

### Astramax pump Vertical discharge with strainer

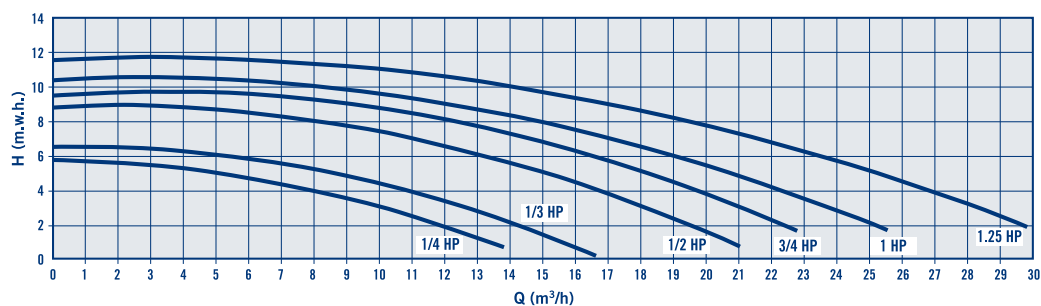


Made in ABS and fibreglass. Can work without strainer. Most suitable for above-ground pools. Versatile and light. Flow rate given at 4 m head for 1/4 HP & 1/3 HP and 8 m head for the rest of the range. 3,000 rpm.

	Code	Standard Packaging	Standard Weight Kg	Standard Volume m <sup>3</sup>
7,500 l/h 0.19 kW (1/4 HP) 230 V II	<b>16354</b>	1	6.5	0.055
10,500 l/h 0.25 kW (1/3 HP) 230 V II	<b>16356</b>	1	7.1	0.055
8,000 l/h 0.38 kW (1/2 HP) 230 V II	<b>16119</b>	1	7.5	0.055
12,000 l/h 0.56 kW (3/4 HP) 230 V II	<b>15746</b>	1	10.0	0.055
14,500 l/h 0.74 kW (1 HP) 230 V II	<b>15747</b>	1	10.5	0.055
19,000 l/h 0.92 kW (1.25 HP) 230 V II	<b>15748</b>	1	13.0	0.055



#### Performance curves



### Strainer Astramax pump



Strainer for Astramax pump. Body in ABS and fibreglass. With transparent lid and anti-corrosive strainer basket. Suction 2<sup>1</sup>/<sub>4</sub>" male thread. Connection to pump 2<sup>3</sup>/<sub>4</sub>" female thread.

Code	Standard Packaging	Standard Weight Kg	Standard Volume m <sup>3</sup>
<b>16104</b>	1	1.5	0.017



**CENTRIFUGAL PUMPS**



**Aral C-3000 pump**



Made in cast iron. 3,000 rpm.  
Also available with bronze impeller.

**Power 5.5 kW (7.5 HP)**  
Connection DN 100-4" for Ø 110 mm pipe

Code	Standard Packaging	Standard Weight Kg	Standard Volume m <sup>3</sup>
------	--------------------	--------------------	--------------------------------

m.w.h.	8	10	12	14	16	19
m <sup>3</sup> /h	126	115	100	80	60	0

Voltage 230/400 V III	<b>01200</b>	1	113	0.197
Voltage 400/690 V III	<b>01201</b>	1	113	0.197



230 V valid for voltages between 220 & 240 V  
400 V valid for voltages between 380 & 420 V  
690 V valid for voltages between 660 & 720 V

**Power 7.5 kW (10 HP)**  
Connection DN 100-4" for Ø 110 mm pipe

m.w.h.	8	10	12	14	16	20
m <sup>3</sup> /h	145	140	123	107	86	0

Voltage 230/400 V III	<b>01202</b>	1	115	0.197
Voltage 400/690 V III	<b>01203</b>	1	115	0.197

**Power 8.7 kW (12.5 HP) Connections**  
Suction DN 125-5" for Ø 140 mm pipe  
Discharge DN 100-4" for Ø 140 mm pipe

m.w.h.	8	10	12	14	16	21
m <sup>3</sup> /h	165	158	149	135	115	0

Voltage 230/400 V III	<b>01204</b>	1	115	0.197
Voltage 400/690 V III	<b>01205</b>	1	115	0.197

**Power 11,04 kW (15 HP) Connections**  
Suction DN 125-5" for Ø 140 mm pipe  
Discharge DN 125-5" for Ø 140 mm pipe

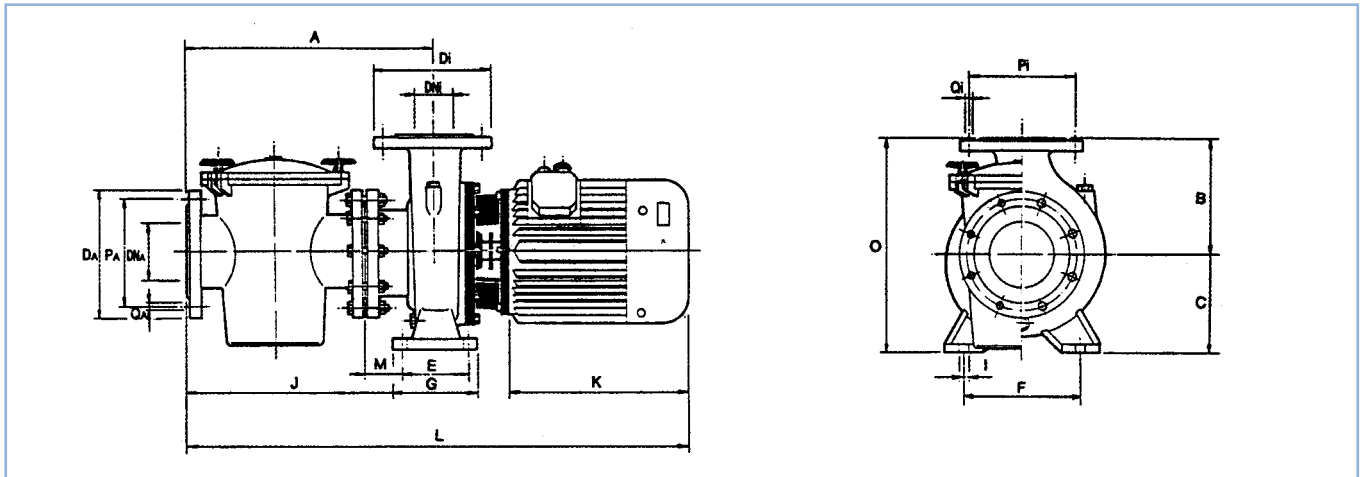
m.w.h.	8	10	12	14	16	22
m <sup>3</sup> /h	195	190	175	160	140	0

Voltage 230/400 V III	<b>01206</b>	1	121	0.197
Voltage 400/690 V III	<b>01207</b>	1	121	0.197

SEE TECHNICAL FEATURES IN PAGE 181

**CENTRIFUGAL PUMPS**

**Aral C-3000 pump, technical features**



Code	VOLTAGE V	Current in Amps		Power		Suction Connections					Discharge Connection				
		III 230 V	III 400 V	kW	HP	D <sub>A</sub> (mm)	DN <sub>A</sub>	P <sub>A</sub> (mm)	Q <sub>A</sub>		D <sub>i</sub> (mm)	DN <sub>i</sub>	P <sub>i</sub> (mm)	Q <sub>i</sub>	
									N°	Ø (mm)				N°	Ø (mm)
01193	230/400	9	5.2	2.20	3	200	80-3"	160	8	18	200	80-3"	160	8	18
01194	230/400	12	7	2.95	4	200	80-3"	160	8	18	200	80-3"	160	8	18
01195	400/690	-	7												
01196	230/400	16	9.1	4	5.5	200	80-3"	160	8	18	200	80-3"	160	8	18
01197	400/690	-	9.1												
01198	230/400	16	9.1	4	5.5	220	100-4"	180	8	18	220	100-4"	180	8	18
01199	400/690	-	9.1												
01200	230/400	19	11	5.5	7.5	220	100-4"	180	8	18	220	100-4"	180	8	18
01201	400/690	-	11												
01202	230/400	26	15	7.5	10	220	100-4"	180	8	18	220	100-4"	180	8	18
01203	400/690	-	15												
01204	230/400	39	22	8.7	12.5	250	125-5"	210	8	18	220	100-4"	210	8	18
01205	400/690	-	22												
01206	230/400	39	22.5	11.04	15	250	125-5"	210	8	18	250	125-5"	210	8	18
01207	400/690	-	22.5												

Code	Power		Dimensions (mm)											
	kW	HP	A	B	C	E	F	G	I	J	K	L	M	O
01193	2.20	3	485	180	160	70	212	100	14	435	245	888	65	340
01194 01195	2.95	4	485	180	160	70	212	100	14	435	245	888	65	340
01196 01197	4	5.5	485	180	160	70	212	100	14	435	273	920	65	340
01198 01199	4	5.5	487	205	160	95	187	125	14	425	273	940	55	365
01200 01201	5.5	7.5	487	205	160	95	187	125	14	425	315	976	55	365
01202 01203	7.5	10	487	205	160	95	187	125	14	425	315	976	55	365
01204 01205	8.7	12.5	487	205	160	95	187	125	14	425	355	1016	55	365
01206 01207	11.04	15	517	233	181	95	187	125	14	455	355	1029	70	365

**CENTRIFUGAL PUMPS**



**Aral C-150 pump**

Made in cast iron. Mechanical seal in stainless steel. IP-54 motor protection. Stainless steel AISI- 316 shaft. With stainless steel AISI-304 strainer basket. Connections PN 16 according to DIN 2501. 1,450 rpm.

**Also available with bronze impeller.**

**Power 2.20 kW (3 HP) Connections**  
Suction DN 65-2 1/2" for Ø 75 mm pipe  
Discharge DN 50-2" for Ø 63 mm pipe

	Code	Standard Packaging	Standard Weight Kg	Standard Volume m <sup>3</sup>
m.w.h.	8 10 12 14 16 20			
m <sup>3</sup> /h	- 50 44 30 0 -			
Voltage 230/400 V III	<b>01208</b>	1	107.0	0.195

**Power 3 kW (4 HP) Connections**  
Suction DN 80-3" for Ø 90 mm pipe  
Discharge DN 65-2 1/2" for Ø 75 mm pipe

m.w.h.	8 10 12 14 16 20			
m <sup>3</sup> /h	- 68 60 45 0 -			
Voltage 230/400 V III	<b>01209</b>	1	115.0	0.195
Voltage 400/690 V III	<b>01210</b>	1	115.0	0.195

**Power 4 kW (5.5 HP) Connections**  
Suction DN 80-3" for Ø 90 mm pipe  
Discharge DN 65-2 1/2" for Ø 75 mm pipe

m.w.h.	8 10 12 14 16 19			
m <sup>3</sup> /h	- 88 80 70 58 0			
Voltage 230/400 V III	<b>01211</b>	1	142.0	0.195
Voltage 400/690 V III	<b>01212</b>	1	142.0	0.195

**Power 5.5 kW (7.5 HP) Connections**  
Suction DN 80-3" for Ø 90 mm pipe  
Discharge DN 65-2 1/2" for Ø 75 mm pipe

m.w.h.	8 10 12 14 16 21			
m <sup>3</sup> /h	- 108 98 88 77 0			
Voltage 230/400 V III	<b>01213</b>	1	163.0	0.407
Voltage 400/690 V III	<b>01214</b>	1	163.0	0.407

**Power 5.5 kW (7.5 HP) Connections**  
Suction DN 100-4" for Ø 110 mm pipe  
Discharge DN 80-3" for Ø 90 mm pipe

m.w.h.	8 10 12 14 16 18			
m <sup>3</sup> /h	- 115 101 87 70 0			
Voltage 230/400 V III	<b>01215</b>	1	170.0	0.407
Voltage 400/690 V III	<b>01216</b>	1	170.0	0.407

**Power 7.5 kW (10 HP) Connections**  
Suction DN 100-4" for Ø 110 mm pipe  
Discharge DN 80-3" for Ø 90 mm pipe

m.w.h.	8 10 12 14 16 20			
m <sup>3</sup> /h	- 150 140 125 115 0			
Voltage 230/400 V III	<b>01217</b>	1	179.0	0.407
Voltage 400/690 V III	<b>01218</b>	1	179.0	0.407



230 V valid for voltages between 220 & 240 V  
400 V valid for voltages between 380 & 420 V  
690 V valid for voltages between 660 & 720 V

SEE TECHNICAL FEATURES IN PAGE 184



**CENTRIFUGAL PUMPS**



**Aral C-1500 pump**

Made in cast iron. 1,450 rpm.  
Also available with bronze impeller.

**Power 9.20 kW (12.5 HP) Connections**

Suction DN 125-5" for Ø 140 mm pipe  
Discharge DN 100-4" for Ø 110 mm pipe

m.w.h.	8	10	12	14	16	20
m <sup>3</sup> /h	-	192	175	155	130	-

Voltage 230/400 V III	<b>01219</b>	1	215.0	0.407
Voltage 400/690 V III	<b>01220</b>	1	215.0	0.407

**Power 11 kW (15 HP) Connections**

Suction DN 125-5" for Ø 140 mm pipe  
Discharge DN 100-4" for Ø 110 mm pipe

m.w.h.	8	10	12	14	16	18	20	22
m <sup>3</sup> /h	-	200	185	165	145	125	95	0

Voltage 230/400 V III	<b>01221</b>	1	245.0	0.407
Voltage 400/690 V III	<b>01222</b>	1	245.0	0.407

**Power 15 kW (20 HP) Connections**

Suction DN 150-6" for Ø 160 mm pipe  
Discharge DN 125-5" for Ø 140 mm pipe

m.w.h.	10	12	14	16	18	19
m <sup>3</sup> /h	240	210	180	145	105	0

Voltage 230/400 V III	<b>01223</b>	1	255.0	0.407
Voltage 400/690 V III	<b>01224</b>	1	255.0	0.407

**Power 18.40 kW (25 HP) Connections**

Suction DN 150-6" for Ø 160 mm pipe  
Discharge DN 125-5" for Ø 140 mm pipe

m.w.h.	8	10	12	14	16	18	20	22
m <sup>3</sup> /h	-	275	258	234	202	169	120	0

Voltage 230/400 V III	<b>01225</b>	1	255.0	0.407
Voltage 400/690 V III	<b>01226</b>	1	255.0	0.407

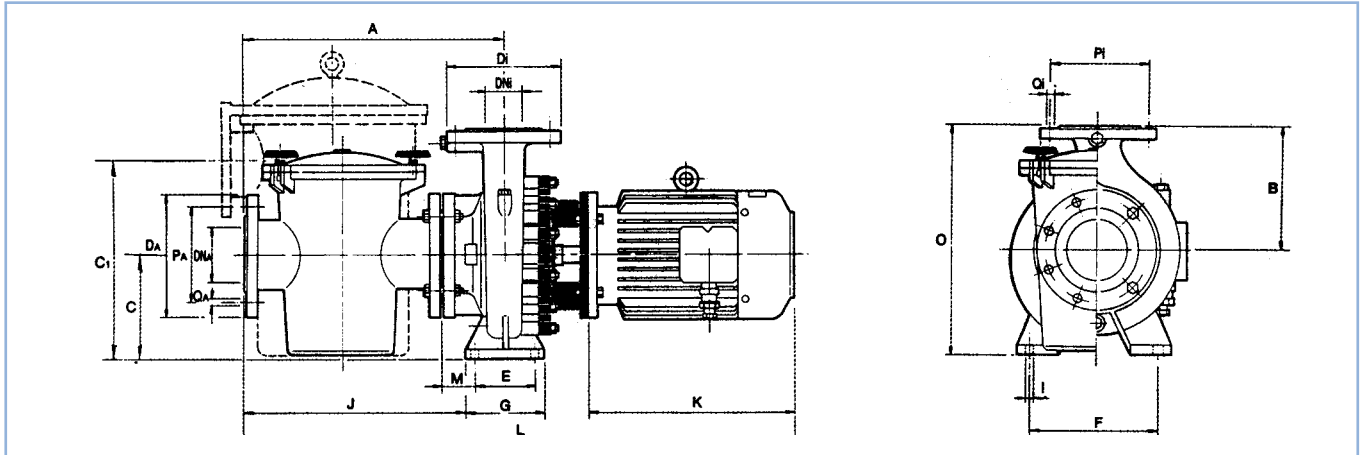


230 V valid for voltages between 220 & 240 V  
400 V valid for voltages between 380 & 420 V  
690 V valid for voltages between 660 & 720 V

**SEE TECHNICAL FEATURES IN PAGE 184**

**CENTRIFUGAL PUMPS**

**Aral C-1500 technical features**



Code	VOLTAGE V	Current in Amps		Power		Suction Connection					Discharge Connection				
		III 230 V	III 400 V	kW	HP	DA (mm)	DN <sub>A</sub>	PA (mm)	QA		Di (mm)	DN <sub>i</sub>	Pi (mm)	Qi	
									N°	Ø (mm)				N°	Ø (mm)
01208	230/400	9.8	5.7	2.20	3	185	65-2½"	145	8	18	165	50-2"	125	4	18
01209	230/400	12.1	7	3	4	200	80-3"	160	8	18	185	65-2½"	145	4	18
01210	400/690	-	7												
01211	230/400	17	9.7	4	5.5	200	80-3"	160	8	18	185	65-2½"	145	4	18
01212	400/690	-	9.7												
01213	230/400	21.3	12.3	5.5	7.5	200	80-3"	160	8	18	185	65-2½"	145	4	18
01214	400/690	-	12.3												
01215	230/400	21.3	12.3	5.5	7.5	220	100-4"	180	8	18	200	80-3"	160	8	18
01216	400/690	-	12.3												
01217	230/400	28.4	16.4	7.5	10	220	100-4"	180	8	18	200	80-3"	160	8	18
01218	400/690	-	16.4												
01219	230/400	32.9	19	9.20	12.5	250	125-5"	210	8	18	220	100-4"	180	8	18
01220	400/690	-	19												
01221	230/400	42	24	11	15	250	125-5"	210	8	18	220	100-4"	180	8	18
01222	400/690	-	24												
*01223	230/400	53.7	32	15	20	285	150-6"	240	8	22	250	125-5"	210	8	18
*01224	400/690	-	32												
*01225	230/400	67.5	39	18.40	25	285	150-6"	240	8	22	250	125-5"	210	8	18
*01226	400/690	-	39												

Code	Power		Dimensions (mm)												
	kW	HP	A	B	C	C1	E	F	G	I	J	K	L	M	O
01208	2.20	3	482	200	160	-	70	212	100	14	432	270	880	94	360
01209	2.95	4	482	225	180	-	95	250	125	14	419	310	880	50	405
01210															
01211	4	5.5	484	253	196	-	120	280	162	18	403	333	967	34	449
01212															
01213	7.5	7.5	484	253	196	-	120	280	162	18	403	410	1044	39	449
01214															
01215	7.5	7.5	514	282	193	-	120	315	162	18	433	410	1072	69	486
01216															
01217	7.5	10	514	282	193	-	120	315	162	18	433	450	1112	69	486
01218															
01219	9.20	12.5	522	280	224	-	120	315	162	18	441	450	1128	77	504
01220															
01221	11	15	522	280	224	-	120	315	162	18	441	490	1188	77	504
01222															
01223	*15	20	747	356	255	507	120	315	158	18	668	520	1438	87	611
01224															
01225	*18.40	25	747	356	255	507	120	315	158	18	668	555	1473	87	611
01226															

\* With strainer 37 I

**SPECIAL CENTRIFUGAL PUMPS FOR SEA WATER**



**Baikal C-3000 pump**

Made in bronze. Stainless steel mechanical seal. IP-54 motor protection. Stainless Steel AISI- AISI-316 shaft. In built. S.S. AISI-304 strainer basket. Connections s/DIN 2501 PN16. 3000 rpm.



	Code	Standard Packaging	Standard Weight Kg	Standard Volume m <sup>3</sup>
--	------	--------------------	--------------------	--------------------------------

**Power 2.20 kW (3 HP)**

Connection DN 80 - 3", for Ø 90 mm

m.w.h.	8	10	12	14	16	19
m <sup>3</sup> /h	59	54	46	40	30	0

Voltage 230/400 V III **01242** 1 81 0.162

**Power 2.95 kW (4 HP)**

Connection DN 80 - 3", for Ø 90 mm

m.w.h.	8	10	12	14	16	19
m <sup>3</sup> /h	67	61	55	48	40	0

Voltage 230/400 V III **01243** 1 84 0.162  
 Voltage 400/690 V III **01244** 1 84 0.162

**Power 4 kW (5.5 HP)**

Connection DN 80 - 3", for Ø 90 mm

m.w.h.	8	10	12	14	16	20
m <sup>3</sup> /h	78	72	66	60	52	0

Voltage 230/400 V III **01245** 1 91 0.162  
 Voltage 400/690 V III **01246** 1 91 0.162

**Power 4 kW (5.5 HP)**

Connection DN 100 - 4", for Ø 110 mm

m.w.h.	8	10	12	14	16	20
m <sup>3</sup> /h	100	89	70	60	48	0

Voltage 230/400 V III **01247** 1 101 0.197  
 Voltage 400/690 V III **01248** 1 101 0.197



230 V valid for voltages between 220 & 240 V  
 400 V valid for voltages between 380 & 420 V  
 690 V valid for voltages between 660 & 720 V

**SEE TECHNICAL FEATURES IN PAGE 187**

## SPECIAL CENTRIFUGAL PUMPS FOR SEA WATER



### Baikal C-3000 pump

Made in bronze. 3,000 rpm.

#### Power 5.5 kW (7.5 HP)

Connection DN 100 - 4", for Ø 110 mm

Code	Standard Packaging	Standard Weight Kg	Standard Volume m <sup>3</sup>
------	--------------------	--------------------	--------------------------------

m.w.h.	8	10	12	14	16	19
m <sup>3</sup> /h	126	115	100	80	60	0

Voltage 230/400 V III

**01249**

1

128

0.197

Voltage 400/690 V III

**01250**

1

128

0.197



230 V valid for voltages between  
220 & 240 V  
400 V valid for voltages between  
380 & 420 V  
690 V valid for voltages between  
660 & 720 V

#### Power 7.5 kW (10 HP)

Connection DN 100-4" for Ø 110 mm

m.w.h.	8	10	12	14	16	20
m <sup>3</sup> /h	145	140	123	107	86	0

Voltage 230/400 V III

**01251**

1

131

0.197

Voltage 400/690 V III

**01252**

1

131

0.197

#### Power 8.7 kW (12.5 HP) Connections

Suction DN 125-5" for Ø 140 mm

Discharge DN 100-4" for Ø 140 mm

m.w.h.	8	10	12	14	16	21
m <sup>3</sup> /h	165	158	149	135	115	0

Voltage 230/400 V III

**01253**

1

131

0.197

Voltage 400/690 V III

**01254**

1

131

0.197

#### Power 11.04 kW (15 HP) Connections

Suction DN 125-5" for Ø 140 mm

Discharge DN 125-5" for Ø 140 mm

m.w.h.	8	10	12	14	16	22
m <sup>3</sup> /h	195	190	175	160	140	0

Voltage 230/400 V III

**01255**

1

137

0.197

Voltage 400/690 V III

**01256**

1

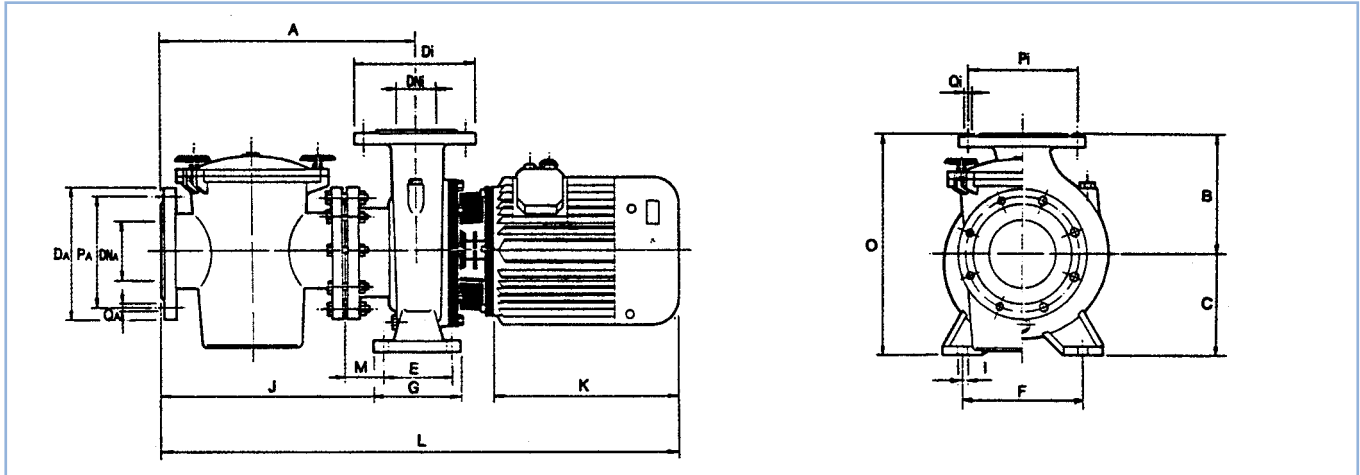
137

0.197

SEE TECHNICAL FEATURES IN PAGE 187

**SPECIAL CENTRIFUGAL PUMPS FOR SEA WATER**

Baikal C-3000 pump technical features



Code	VOLTAGE V	Current in Amps		Power		Suction Connection					Discharge Connection				
		III 230 V	III 400 V	kW	HP	DA (mm)	DNA	PA (mm)	QA		Di (mm)	DNi	Pi (mm)	Qi	
									N°	Ø (mm)				N°	Ø (mm)
01242	230/400	9	5.2	2.20	3	200	80-3"	160	8	18	200	80-3"	160	4	18
01243	230/400	12	7	2.95	4	200	80-3"	160	8	18	200	80-3"	160	4	18
01244	400/690	-	7												
01245	230/400	16	9.1	4	5.5	200	80-3"	160	8	18	200	80-3"	160	4	18
01246	400/690	-	9.1												
01247	230/400	16	9.1	4	5.5	220	100-4"	180	8	18	220	100-4"	180	4	18
01248	400/690	-	9.1												
01249	230/400	19	11	5.5	7.5	220	100-4"	180	8	18	220	100-4"	180	8	18
01250	400/690	-	11												
01251	230/400	26	15	7.5	10	220	100-4"	180	8	18	220	100-4"	180	8	18
01252	400/690	-	15												
01253	230/400	39	22	8.7	12.5	250	125-5"	210	8	18	220	100-4"	210	8	18
01254	400/690	-	22												
01255	230/400	39	22.5	11.04	15	250	125-5"	210	8	18	250	125-5"	210	8	18
01256	400/690	-	22.5												

Code	Power		Dimensions (mm)											
	kW	HP	A	B	C	E	F	G	I	J	K	L	M	O
01242	2.20	3	485	180	160	70	212	100	14	435	245	888	65	340
01243 01244	2.95	4	485	180	160	70	212	100	14	435	245	888	65	340
01245 01246	4	5.5	485	180	160	70	212	100	14	435	273	920	65	340
01247 01248	4	5.5	487	205	160	95	187	125	14	425	273	940	55	365
01249 01250	5.5	7.5	487	205	160	95	187	125	14	425	315	976	55	365
01251 01252	7.5	10	487	205	160	95	187	125	14	425	315	976	55	365
01253 01254	8.7	12.5	487	205	160	95	187	125	14	425	355	1016	55	365
01255 01256	11.04	15	517	233	181	95	187	125	14	455	355	1029	70	365

## STRAINERS



### Strainer in polypropylene and fibreglass

Flanges drilled according to DIN-2501 Standard. Supplied with 3 piece coupling at the inlet. 8 litre capacity. Inlet size: Ø 90 mm and outlet Ø 110 mm.

Code	Standard Packaging	Standard Weight Kg	Standard Volume m <sup>3</sup>
09879	1	8.4	0.098



### Strainer in polyester and fibreglass 33 l capacity

Flanges drilled according to DIN-2501 Standard. Hoop type clamp. Drain plug. Maximum working pressure: 1.5 bar.

#### 33 l Capacity

Connections Ø 90 mm. 37 m<sup>3</sup>/h  
 Connections Ø 110 mm. 55 m<sup>3</sup>/h  
 Connections Ø 125 mm. 72 m<sup>3</sup>/h  
 Connections Ø 140 mm. 90 m<sup>3</sup>/h

Code	Standard Packaging	Standard Weight Kg	Standard Volume m <sup>3</sup>
04656	1	25	0.180
04657	1	25	0.180
04658	1	25	0.180
04659	1	25	0.180



### Strainer in polyester and fibreglass 60 l capacity

Flanges drilled according to DIN-2501 Standard. Hoop type clamp. Drain plug. Maximum working pressure 1,5 bar.

#### 60 l Capacity

Connections Ø 160 mm. 118 m<sup>3</sup>/h  
 Connections Ø 200 mm. 184 m<sup>3</sup>/h  
 Connections Ø 225 mm. 233 m<sup>3</sup>/h

Code	Standard Packaging	Standard Weight Kg	Standard Volume m <sup>3</sup>
10886	1	37	0.350
10887	1	37	0.350
10888	1	37	0.350



### Strainer in polyester and fibreglass with sight glass lid 33 l capacity

Flanges drilled according to DIN-2501 Standard. Hoop type clamp. Drain plug. Maximum working pressure: 1.5 bar.

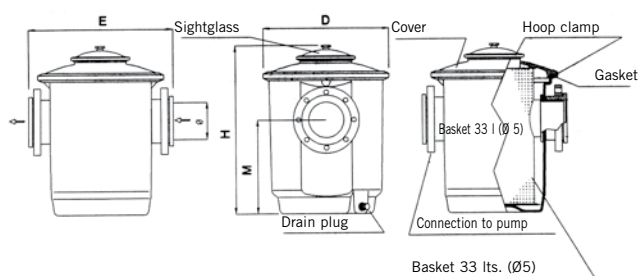
#### 33 l Capacity

Connections Ø 90 mm. 37 m<sup>3</sup>/h  
 Connections Ø 110 mm. 55 m<sup>3</sup>/h  
 Connections Ø 125 mm. 72 m<sup>3</sup>/h  
 Connections Ø 140 mm. 90 m<sup>3</sup>/h  
 Strainer 3". 37 m<sup>3</sup>/h  
 Strainer 4". 55 m<sup>3</sup>/h

Code	Standard Packaging	Standard Weight Kg	Standard Volume m <sup>3</sup>
15644	1	25	0.180
15645	1	25	0.180
15646	1	25	0.180
15647	1	25	0.180
15648	1	25	0.180
15649	1	25	0.180

### 33 l POLYESTER STRAINERS

Code	15644	15645	15646	15647	15648	15649
H	635	635	635	635	635	635
D	475	475	475	475	475	475
M	353	353	353	353	353	353
Ø	90	110	125	140	3"	4"
E	500	516	532	546	500	516



**STRAINERS**



**Strainer in polyester and fibreglass with sightglass lid 60 l capacity**

Flanges drilled according to DIN-2501 Standard. Hoop type clamp. Drain plug. Maximum working pressure: 1.5 bar.

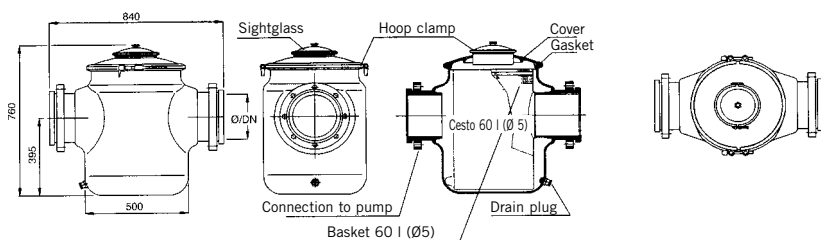
**60 l Capacity**

Connections Ø 160 mm. 118 m<sup>3</sup>/h  
 Connections Ø 200 mm. 174 m<sup>3</sup>/h  
 Connections Ø 225 mm. 233 m<sup>3</sup>/h  
 Strainer 6". 118 m<sup>3</sup>/h  
 Strainer 8". 233 m<sup>3</sup>/h

Code	Standard Packaging	Standard Weight Kg	Standard Volume m <sup>3</sup>
<b>15650</b>	1	37	0.350
<b>15651</b>	1	37	0.350
<b>15652</b>	1	37	0.350
<b>15653</b>	1	37	0.350
<b>15654</b>	1	37	0.350



**60 l POLYESTER STRAINER.**



**Aral strainers**

Housing and cover in cast iron. AISI-304 Stainless Steel Strainer basket. Flange connection are manufactured in accordance with DIN-2501 Standard. Maximum working pressure 2.5 bar.

**11 l Capacity**

Flanges DN 65 (2½") DN 65 (2½")  
 \*Flanges DN 80 (3") DN 80 (3")  
 \*Flanges DN 80 (3") DN 80 (3") (Especial)  
 Flanges DN 100 (4") DN 100 (4")  
 Flanges DN 125 (5") DN 125 (5")  
 Flanges DN 80 (3") DN 65 (2½")  
 Flanges DN100 (4") DN 80 (3")  
 Flanges DN 125 (5") DN 100 (4")

Code	Standard Packaging	Standard Weight Kg	Standard Volume m <sup>3</sup>
<b>20026</b>	1	35	0.051
<b>20027</b>	1	35	0.051
<b>20028</b>	1	35	0.051
<b>20029</b>	1	35	0.051
<b>20030</b>	1	35	0.051
<b>20031</b>	1	35	0.051
<b>20032</b>	1	35	0.051
<b>20033</b>	1	35	0.051



**Aral 11 l**

**37 l Capacity**

Flanges DN 125 (5") DN 125 (5")  
 Flanges DN 150 (6") DN 150 (6")  
 Flanges DN 150 (6") DN 125 (5")

<b>01267</b>	1	129	0.319
<b>01268</b>	1	129	0.319
<b>01272</b>	1	129	0.319



**Aral 37 l**

\* See differences in technical chart

## STRAINERS



### Baikal strainers



Bronze strainers. Flanges drilled according to DIN-2501 Standard. Stainless steel AISI-304 basket. Maximum working pressure 2.5 bar.

#### 11 l Capacity

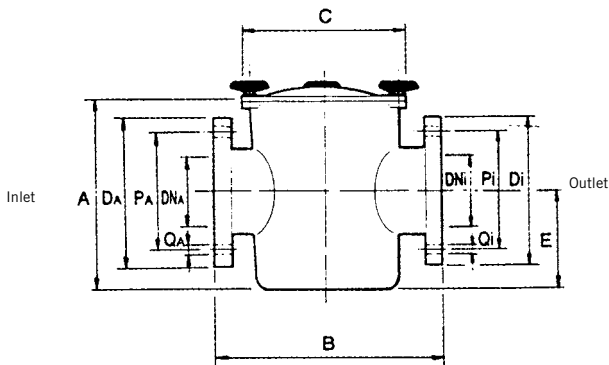
Flanges DN 65 (2½") DN 65 (2½")  
 Flanges DN 80 (3") DN 80 (3")  
 Flanges DN 100 (4") DN 100 (4")  
 Flanges DN 125 (5") DN 125 (5")  
 Flanges DN 100 (4") DN 80 (3")  
 Flanges DN 125 (5") DN 100 (4")

Code	Standard Packaging	Standard Weight Kg	Standard Volume m <sup>3</sup>
01273	1	44	0.051
01274	1	44	0.051
01275	1	44	0.051
01276	1	44	0.051
01278	1	44	0.051
01279	1	44	0.051

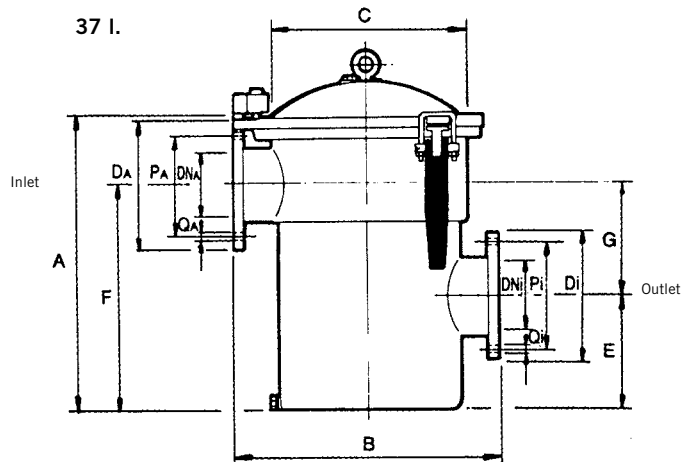
#### Technical features

Code		Capacity	Inlet Connection					Outlet Connection					Dimensions (mm)					
Aral	Baikal	l	DA (mm)	DNA	PA (mm)	QA		Di (mm)	DNi	Pi (mm)	Qi		A	B	C	E	F	G
						N°	Ø (mm)				N°	Ø (mm)						
20026	01273	11	185	65-2½"	145	4	18	185	65-2½"	145	4	18	315	392	295	159	-	-
20027	01274	11	200	80-3"	160	8	18	200	80-3"	160	8	18	315	392	295	159	-	-
20028	-	11	200	80-3"	160	8	18	200	80-3"	160	4	18	315	392	295	159	-	-
20029	01275	11	220	100-4"	180	8	18	220	100-4"	180	8	18	315	392	295	159	-	-
20030	01276	11	250	125-5"	210	8	18	250	125-5"	210	8	18	315	392	295	159	-	-
20031	01277	11	200	80-3"	160	8	18	185	65-2½"	145	4	18	315	392	295	159	-	-
20032	01278	11	220	100-4"	180	8	18	200	80-3"	160	8	18	315	392	295	159	-	-
20033	01279	11	250	125-5"	210	8	18	220	100-4"	180	8	18	315	392	295	159	-	-
01267	-	37	250	125-5"	210	8	18	250	125-5"	210	8	18	649	600	542	250	507	257
01268	-	37	285	150-6"	240	8	22	285	150-6"	240	8	22	649	600	542	250	507	257
01272	-	37	285	150-6"	240	8	22	250	125-5"	210	8	18	649	600	542	250	507	257

11 l.



37 l.





**STRAINERS**

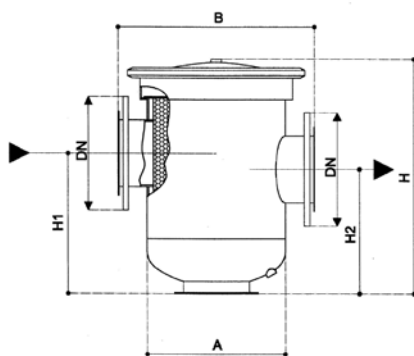


**Strainer in Stainless Steel**

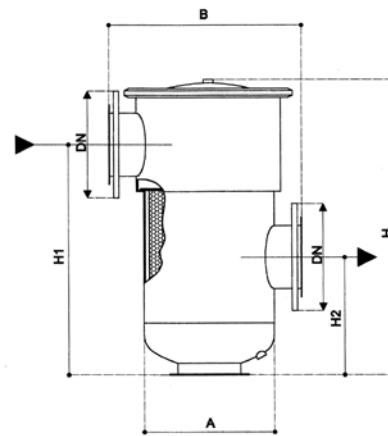
With removable basket. Housing in AISI-304 and strainer basket in AISI-316. Models come in varying diameters to suit pump suction (impeller protection). Rough straining for different installations.

	Code	Standard Packaging	Standard Weight Kg	Standard Volume m <sup>3</sup>
S.S. strainer DN 100 with PVC flange	<b>21461</b>	1	17.6	0.06
S.S. strainer DN 100 TF with PVC flange	<b>21462</b>	1	21.6	0.09
S.S. strainer DN 125 with PVC flange	<b>21463</b>	1	19.0	0.06
S.S. strainer DN 125 TF with PVC flange	<b>21464</b>	1	23.0	0.09
S.S. strainer DN 150 with PVC flange	<b>21465</b>	1	24.8	0.08
S.S. strainer DN 150 TF with PVC flange	<b>21466</b>	1	31.0	0.13
S.S. strainer DN 200 with PVC flange	<b>21467</b>	1	25.4	0.08
S.S. strainer DN 200 TF with PVC flange	<b>21468</b>	1	31.6	0.13

Code	Diameter		Pressure (bar)	External volume					Material	Interior basket			Weight (kg)
	Inlet	Outlet		Dimensions (mm)						Dimensions (mm)			
				A	B	H	H1	H2		Ø	H	Perforation	
<b>21461</b>	DN 100	1/2"	3	292	410	520	294	254	AISI 316	270	350	6 mm	17.6
<b>21462</b>	DN 100	1/2"	3	292	425	735	593	308	AISI 316	270	415	6 mm	21.6
<b>21463</b>	DN 125	1/2"	3	292	410	520	294	254	AISI 316	270	350	6 mm	19.0
<b>21464</b>	DN 125	1/2"	3	292	425	735	593	308	AISI 316	270	415	6 mm	23.0
<b>21465</b>	DN 150	1/2"	3	350	450	520	294	254	AISI 316	320	350	6 mm	24.8
<b>21466</b>	DN 150	1/2"	3	350	470	775	595	295	AISI 316	320	415	6 mm	31.0
<b>21467</b>	DN 200	1/2"	3	350	450	520	294	254	AISI 316	320	350	6 mm	25.4
<b>21468</b>	DN 200	1/2"	3	350	470	775	595	295	AISI 316	320	415	6 mm	31.6



**MOD. STANDARD**



**MOD. TF**

**VALVES AND FLANGES**



**Check valves**



Nominal pressure 10 kg/cm<sup>2</sup>. Mounted between flanges. Available in PN 16 and PN 25 under special order.

	Code	Standard Packaging	Standard Weight Kg	Standard Volume m <sup>3</sup>
Outlets Ø 50 mm	20239	1	-	-
Outlets Ø 65 mm	20240	1	-	-
Outlets Ø 80 mm	20241	1	-	-
Outlets Ø 100 mm	20242	1	-	-
Outlets Ø 125 mm	20243	1	-	-
Outlets Ø 150 mm	20244	1	-	-
Outlets Ø 200 mm	20245	1	-	-
Outlets Ø 250 mm	20246	1	-	-



**Vibration absorbent brushing**



Flanges in galvanised steel. Elastic material: Polychloroprene. Maximum temperature: 95° C. Nominal pressure: 10 kg/cm<sup>2</sup> (PN/10). Available in PN 16 under special order.

	Code	Standard Packaging	Standard Weight Kg	Standard Volume m <sup>3</sup>
Outlets Ø 50 mm	20231	1	-	-
Outlets Ø 65 mm	20232	1	-	-
Outlets Ø 80 mm	20233	1	-	-
Outlets Ø 100 mm	20234	1	-	-
Outlets Ø 125 mm	20235	1	-	-
Outlets Ø 150 mm	20236	1	-	-
Outlets Ø 200 mm	20237	1	-	-
Outlets Ø 250 mm	20238	1	-	-



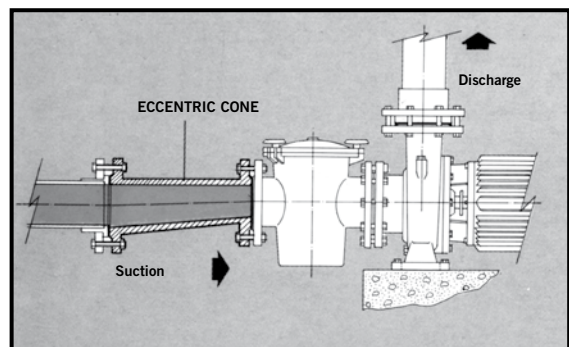
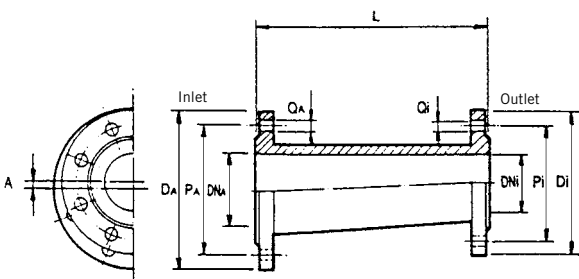
**Eccentric cones**



In cast iron.

Flanges DN 100 (4") DN 80 (3")  
 Flanges DN 125 (5") DN 100 (4")  
 Flanges DN 150 (6") DN 125 (5")

Code	Standard Packaging	Standard Weight Kg	Standard Volume m <sup>3</sup>
01280	1	12	0.04
01281	1	17	0.04
01282	1	23	0.04



**Technical features**

Code	Inlet connection			Outlet Connection						Dimensions (mm)		
	D <sub>A</sub> (mm)	DN <sub>A</sub>	P <sub>A</sub>	Q <sub>A</sub>		D <sub>i</sub>	DN <sub>i</sub>	P <sub>i</sub>	Q <sub>i</sub>		A	L
Cast iron				N°	Ø				N°	Ø		
01280	220	100-4"	180	8	18	200	80-3"	160	8	18	10	275
01281	250	125-5"	210	8	18	220	100-4"	180	8	1	12,5	325
01282	285	150-6"	240	8	22	250	125-5"	210	8	18	12,5	385

## ASTRALPOOL CONTROL BOXES

### Control box for pump control

IP-65 protection. Glass panel with lock and key. All units are compatible with:

- 220/240V 1-phase (P+N+T) 50Hz/60Hz
- 380/415V 3-phase (3P+N+T) 50Hz/60Hz
- 220/230V 3-phase (3P+T) 50Hz/60Hz

24h programming clock with hourly programming. Connection for remote control of pump (on/off,...) and for auxiliary equipment (cold detector, level control...). All products supplied with:

- Electrical diagram
- Connection diagram
- Instructions for installation
- CE conformity certificate
- Stuffing box at every cable entrance
- Screws and plugs (4) for fixing to wall

The control box model should be selected according to the nominal voltage of the pump:

Type	Current Range	Power Range 1-phase 230V	Power Range 3-phases 400V	Power Range 3-phases 230V
A	1.6A - 2.5A	1/4 HP	3/4 HP - 1 HP	1/2 HP
B	2.5A - 4A	1/2 HP	1.5 HP - 2 HP	3/4 HP - 1 HP
C	4A - 6.3A	3/4 HP - 1 HP	3 HP*	1.5 HP
D	6A - 10A	1.5 HP	4 HP**	2 HP - 3 HP

\* Also 3.5 HP 400V 3~ in plastic (Code 08003)

\*\* Also 4.5 and 5.5 HP 400 V 3~ in plastic (Codes 08004, 08005)



### Control box for pump overload protection

Plastic panel with contactor, thermal overload protection (1.6 to 10A), 24hr programming clock with 3 positions, Auto / 0 / manual.

	Code	Standard Packaging	Standard Weight Kg	Standard Volume m <sup>3</sup>
Type A	<b>25717</b>	1	1.5	-
Type B	<b>25718</b>	1	1.5	-
Type C	<b>25719</b>	1	1.5	-
Type D	<b>25720</b>	1	1.5	-



### Control box for pump overload protection and underwater light

Plastic panel with contactor, thermal overload protection (1.6 to 10A) 24hr programming clock with 3 positions, Auto / 0 / manual. 230V 16A protected and controlled output for lights.

	Code	Standard Packaging	Standard Weight Kg	Standard Volume m <sup>3</sup>
Type A	<b>25721</b>	1	1.6	-
Type B	<b>25722</b>	1	1.6	-
Type C	<b>25723</b>	1	1.6	-
Type D	<b>25724</b>	1	1.6	-



**ASTRALPOOL CONTROL BOXES**

**Control box for pump overload protection and underwater light with differential protection**



Plastic panel with contactor, thermal overload protection (1.6 to 10A) 24hr programming clock with 3 positions, Auto / 0 / manual. 230V 10A protected and controlled output for lights. Single-phase.

	Code	Standard Packaging	Standard Weight Kg	Standard Volume m <sup>3</sup>
Type A	<b>25725</b>	1	1.9	-
Type B	<b>25726</b>	1	1.9	-
Type C	<b>25727</b>	1	1.9	-
Type D	<b>25728</b>	1	1.9	-

**Control box for pump overload protection and underwater light with differential protection**



Plastic panel with contactor, thermal overload protection (1.6 to 10A) 24hr programming clock with 3 positions, Auto / 0 / manual. 230V 10A protected and controlled output for lights. Three-phase.

	Code	Standard Packaging	Standard Weight Kg	Standard Volume m <sup>3</sup>
Type A	<b>25729</b>	1	1.9	-
Type B	<b>25730</b>	1	1.9	-
Type C	<b>25731</b>	1	1.9	-
Type D	<b>25732</b>	1	1.9	-

**Control box for pump overload protection and 1 underwater light**



Plastic panel with contactor, thermal overload protection (1.6 to 10A) 24hr programming clock with 3 positions, Auto / 0 / manual. 12V 315VA. Protected output for 1 underwater light.

	Code	Standard Packaging	Standard Weight Kg	Standard Volume m <sup>3</sup>
Type A	<b>25733</b>	1	6	-
Type B	<b>25734</b>	1	6	-
Type C	<b>25735</b>	1	6	-
Type D	<b>25736</b>	1	6	-

**Control box for pump overload protection and 2 underwater lights**



Plastic panel with contactor, thermal overload protection (1.6 to 10A) 24hr programming clock with 3 positions, Auto / 0 / manual. 12V 630VA. Protected output for 2 underwater lights.

	Code	Standard Packaging	Standard Weight Kg	Standard Volume m <sup>3</sup>
Type A	<b>25737</b>	1	8	-
Type B	<b>25738</b>	1	8	-
Type C	<b>25739</b>	1	8	-
Type D	<b>25740</b>	1	8	-

**ASTRALPOOL CONTROL BOXES**
**Control box with overload protection for 2 pumps and control for 1 underwater light**

Plastic panel with contactor, thermal overload protection (2 pumps: 1st pump 6 to 10A and 2nd pump 10A) 24hr programming clock with 3 positions, Auto / 0 / manual. 230V 10A protected output for lights. 12V 315VA protected output for 1 underwater light.

	Code	Standard Packaging	Standard Weight Kg	Standard Volume m <sup>3</sup>
Type C	<b>25741</b>	1	7.5	-
Type D	<b>25742</b>	1	7.5	-


**Control box with protection for 2 pumps and control for 2 underwater lights**

Plastic panel with contactor, thermal overload protection (2 pumps: 1st pump 6 to 10A and 2nd pump 10A) 24hr programming clock with 3 positions, Auto / 0 / manual. 230V 10A protected output for lights. **12V 630VA** protected output for 2 underwater light.

	Code	Standard Packaging	Standard Weight Kg	Standard Volume m <sup>3</sup>
Type C	<b>25743</b>	1	9.5	-
Type D	<b>25744</b>	1	9.5	-


**Control box with protection for 2 pumps and control for 3 underwater lights**

Thermal overload protection (1 pump: 1,6 to 10A) with contactor, programming clock 24h. 3 positions: Auto/ 0 / manual. 230V 10A protected output for lights. 12V 630VA protected output for 2 underwater light and 12V 315VA protected output for 1 underwater light.

	Code	Standard Packaging	Standard Weight Kg	Standard Volume m <sup>3</sup>
Type A	<b>27088</b>	1	9.5	-
Type B	<b>27089</b>	1	9.5	-
Type C	<b>27090</b>	1	9.5	-
Type D	<b>27091</b>	1	9.5	-


**Encapsulated security transformer IP-65 for pool**

Manufactured according to the rules UNE-EN 61558 and directive CE.  
 -IP-657 housing protection degree.  
 -Transformer Class II. Total Protection against electric shock.  
 -Self-extinguishing housing IEC 695-2-1  
 -Frequency 50/60 Hz

	Code	Standard Packaging	Standard Weight Kg	Standard Volume m <sup>3</sup>
130 VA to 220-240V to 12 V	<b>35807</b>	1	3.2	0.02
400 VA to 220-240V to 12-17 V	<b>35385</b>	1	6.8	0.04
800 VA to 220-240V to 12-17 V	<b>35386</b>	1	10.4	0.04



## SUBMERSIBLE PUMPS

### Submersible pumps



POW 67803 model  
Code 32980-2450

Range of submersible pumps for clean or dirty water. Available in plastic or stainless steel in accordance with the model.

#### Drainage pump for clean water

- Useful for small tanks, machinery rooms and above ground pools.
- Enables suction of up to 5 mm of water layer.
- Suctions particles of up to 5 mm in diameter.
- With 10 m of cable.
- Includes flotation switch.

#### Drainage pump for dirty water

- Suctions particles of up to 35 mm in diameter.
- With 10 m of cable.
- Includes flotation switch.

	Code	Standard Packaging	Standard Weight Kg	Standard Volume m <sup>3</sup>
<b>Plastic body</b>				
Power Plus for clean water, POW 67850	32979-2450	1	3.83	0.008
Power Plus for clean water, POW 67803	32980-2450	1	4.62	0.011
Power Plus for dirty water, POW 67822	32981-2450	1	5.00	0.012
Power Plus for dirty water, POW 67826	32982-2450	1	5.75	0.013
<b>Stainless Steel body</b>				
Power Plus S.S. for clean water, POW 67817	32983-2450	1	5.00	0.011
Power Plus S.S. for dirty water, POW 67833	32984-2450	1	5.25	0.012
Power Plus S.S. for dirty water, POW 67837	32985-2450	1	6.50	0.014